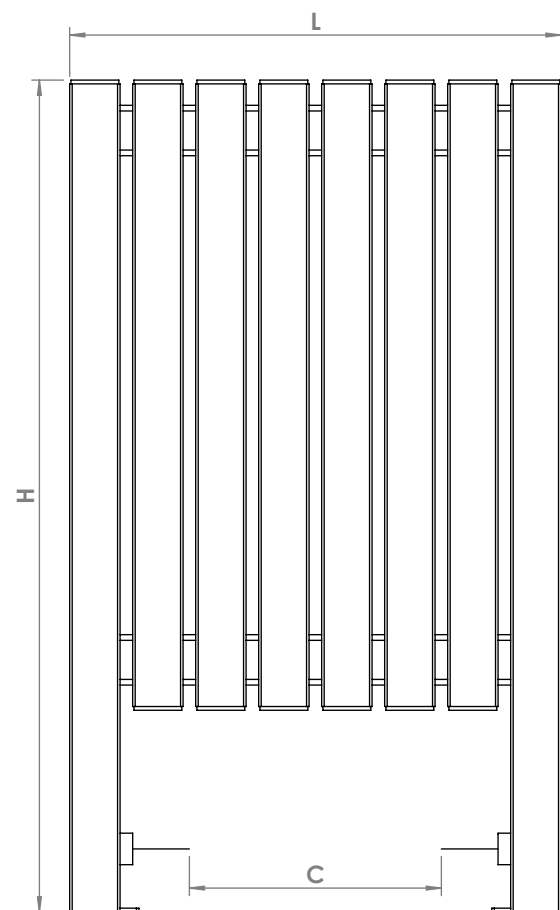
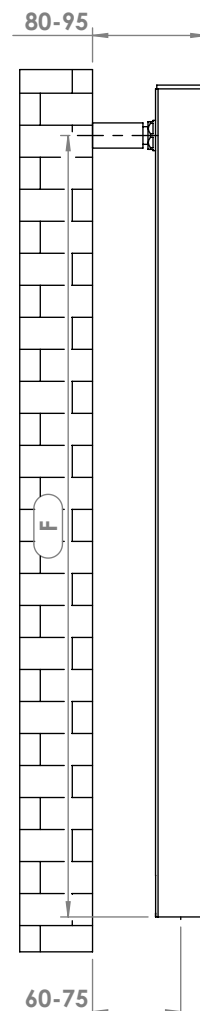


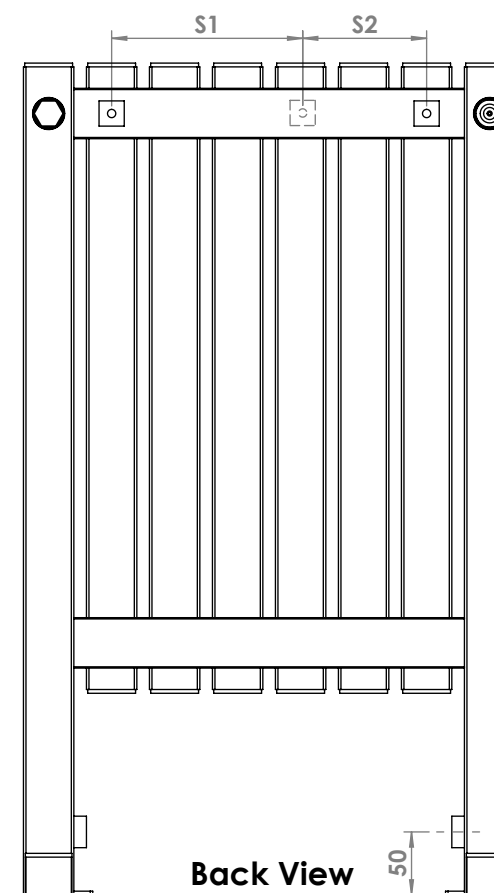
Bottom View



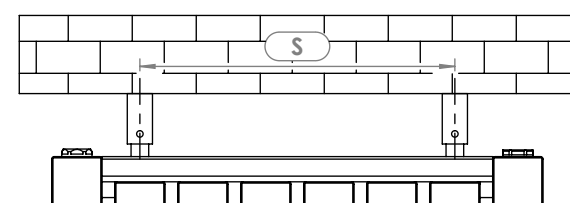
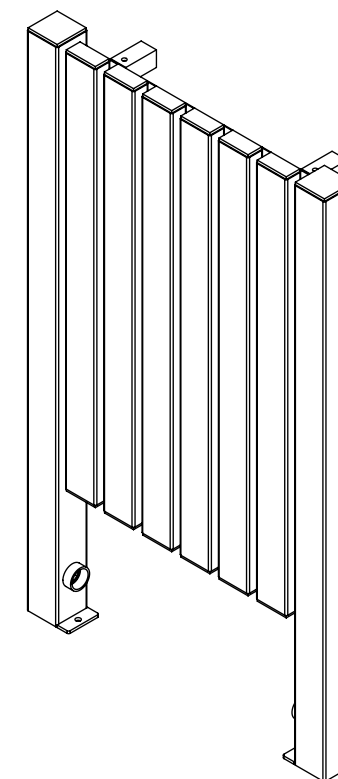
Front View



Side View


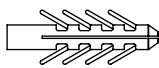

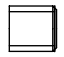




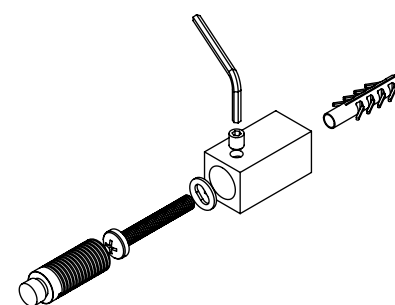
Back View



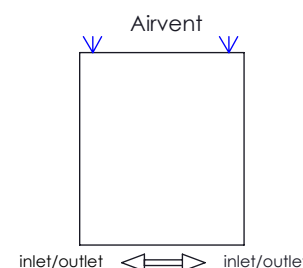
Top View

**Installation Accessories:**

-  x2
-  x4
-  x4
-  x2
-  x2
-  x1



**Plumbing Position:**



Vertical mount  
 All Dimensions are in mm  
 Max. Working Pressure: 10 Bar  
 Max. Working Temperature: 95° C  
 Inlet / Outlet : 1/2" BSP  
 Fuel : E/H/D

Manufacturing Tolerance : - 5 mm

Note: Dimension (S1,S2) available for minimum 28 profiles

PRODUCT CODE	Height	Length	Depth	Pipe Centres	Bracket Centres		
	H mm	L mm	D mm	C mm	F mm	S (s1-s2) mm	M mm
ARL8-6650	660	390	40	200	620	250	295
ARL10-6650	660	490	40	300	620	350	395
ARL12-6650	660	590	40	400	620	450	495
ARL14-6650	660	690	40	500	620	550	595
ARL16-6650	660	790	40	600	620	650	695
ARL20-6650	660	990	40	800	620	850	895
ARL24-6650	660	1190	40	1000	620	1050	1095
ARL28-6650	660	1390	40	1200	620	650-600	1295
ARL32-6650	660	1590	40	1400	620	750-700	1495
ARL36-6650	660	1790	40	1600	620	850-800	1695
ARL40-6650	660	1990	40	1800	620	950-900	1895
ARL8-7660	760	390	40	200	720	250	295
ARL10-7660	760	490	40	300	720	350	395
ARL12-7660	760	590	40	400	720	450	495
ARL14-7660	760	690	40	500	720	550	595
ARL16-7660	760	790	40	600	720	650	695
ARL20-7660	760	990	40	800	720	850	895
ARL24-7660	760	1190	40	1000	720	1050	1095
ARL28-7660	760	1390	40	1200	720	650-600	1295
ARL32-7660	760	1590	40	1400	720	750-700	1495
ARL36-7660	760	1790	40	1600	720	850-800	1695
ARL40-7660	760	1990	40	1800	720	950-900	1895