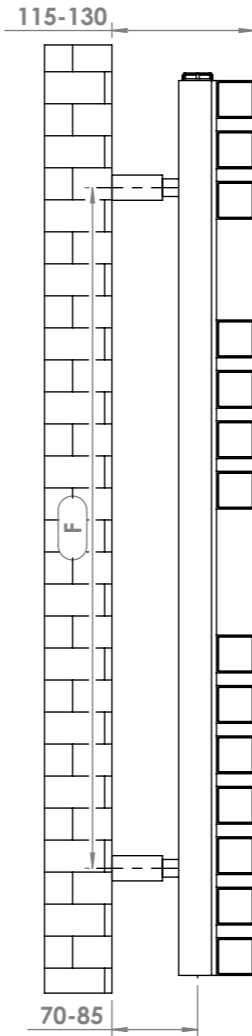
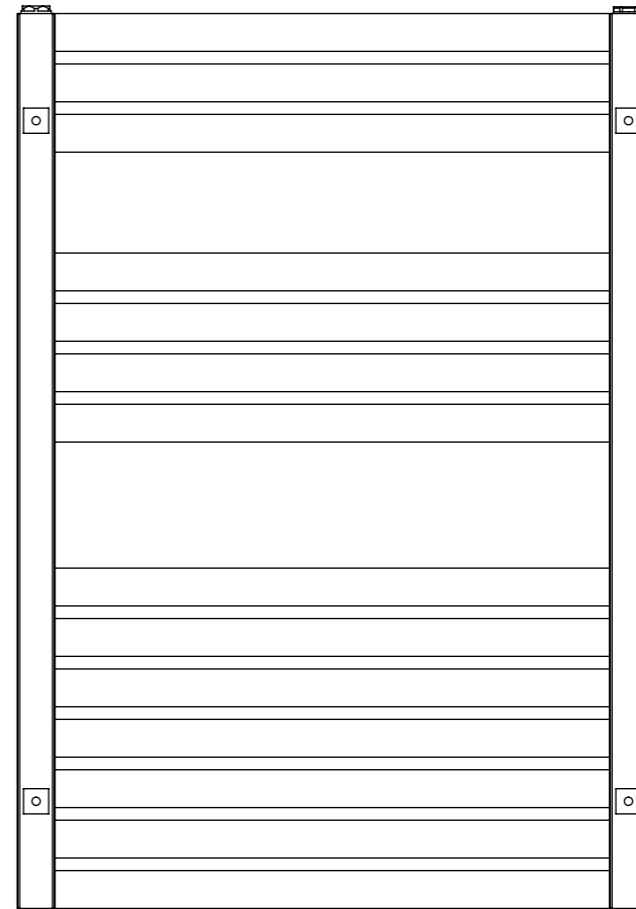


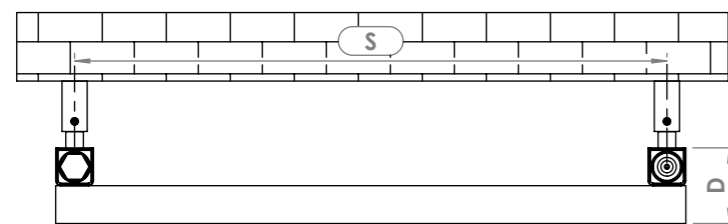
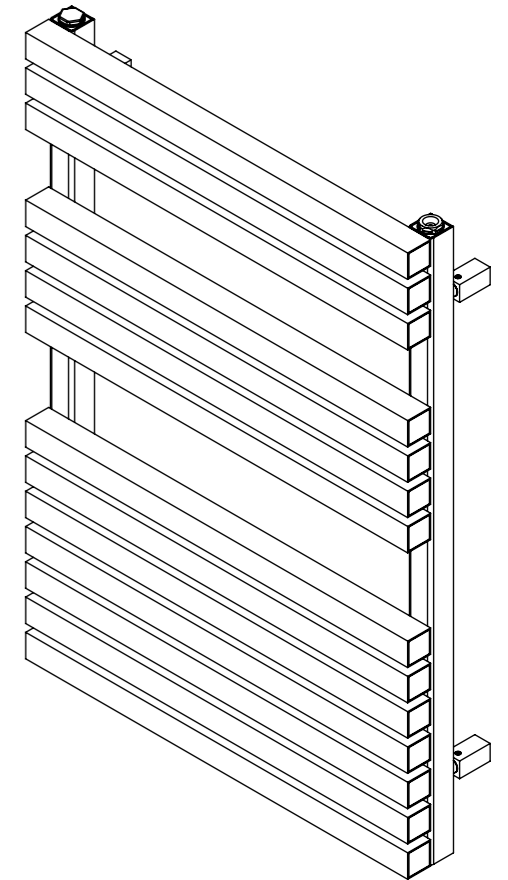
Front View



Side View

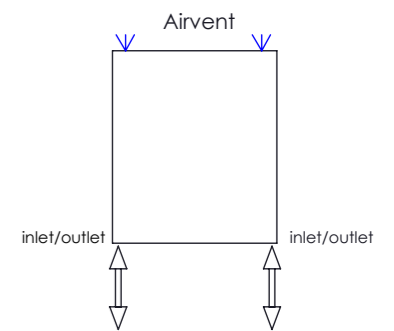


Back View



Top View

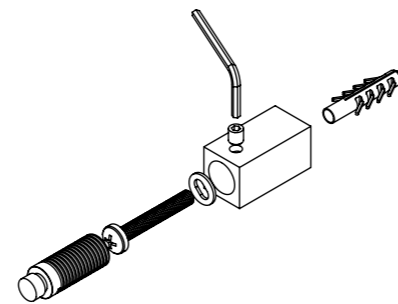
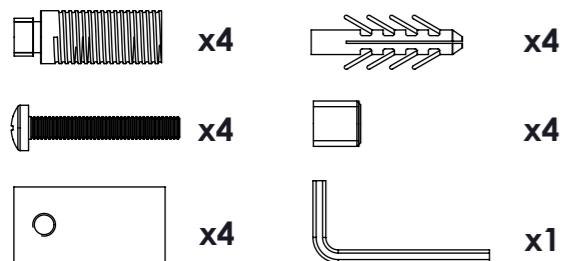
**Plumbing Position:**



Vertical mount  
 All Dimensions are in mm  
 Max. Working Pressure: 10 Bar  
 Max. Working Temperature: 95° C  
 Inlet / Outlet : 1/2" BSP  
 Fuel : E/H/D

Manufacturing Tolerance : - 5 mm

**Installation Accessories:**



PRODUCT CODE	Height	Length	Depth	Pipe Centres	Bracket Centres	
	H	L	D	C	F	S
	mm	mm	mm	mm	mm	mm
AT5A7	710	500	60	470	540	470
AT5A10	1040	500	60	470	870	470
AT5A15	1480	500	60	470	1310	470