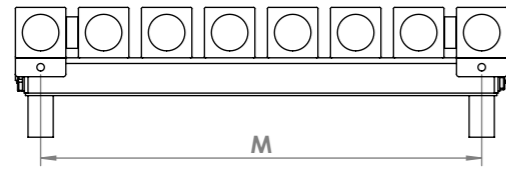


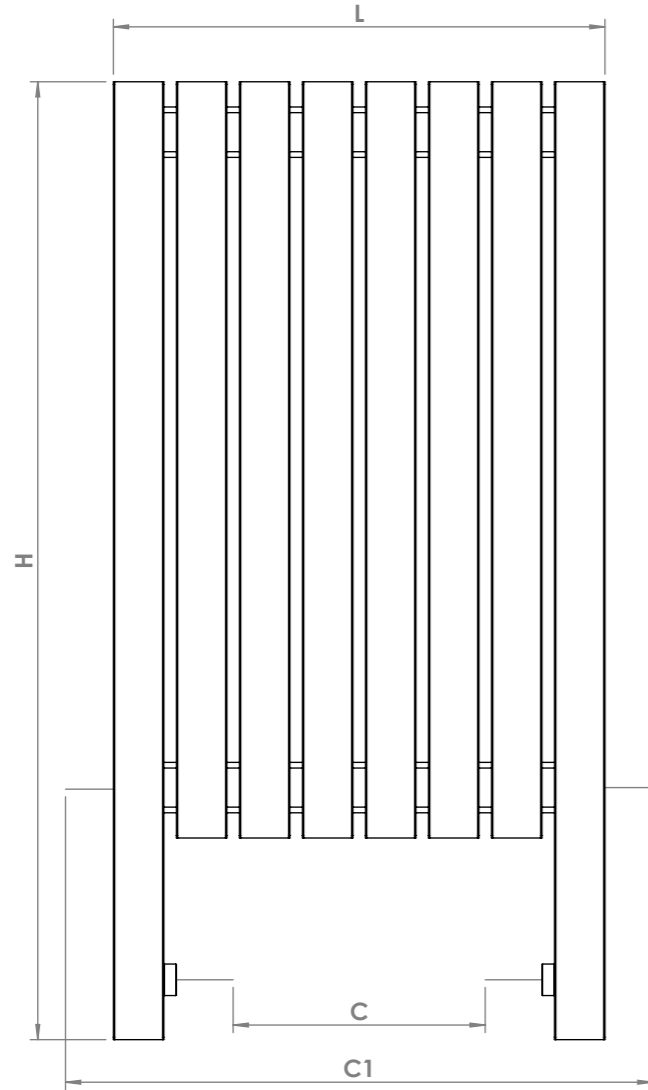
DALYA L

Bottom View

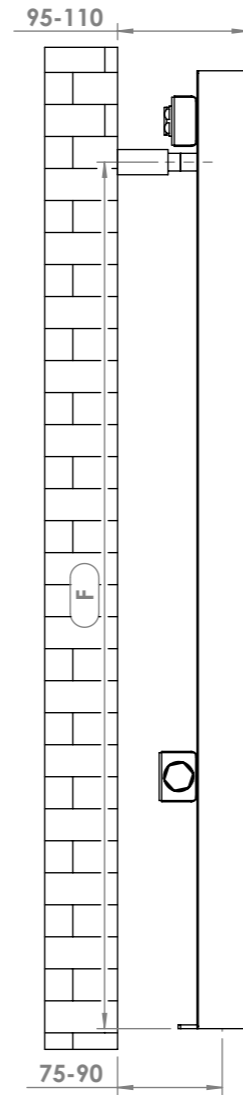


M

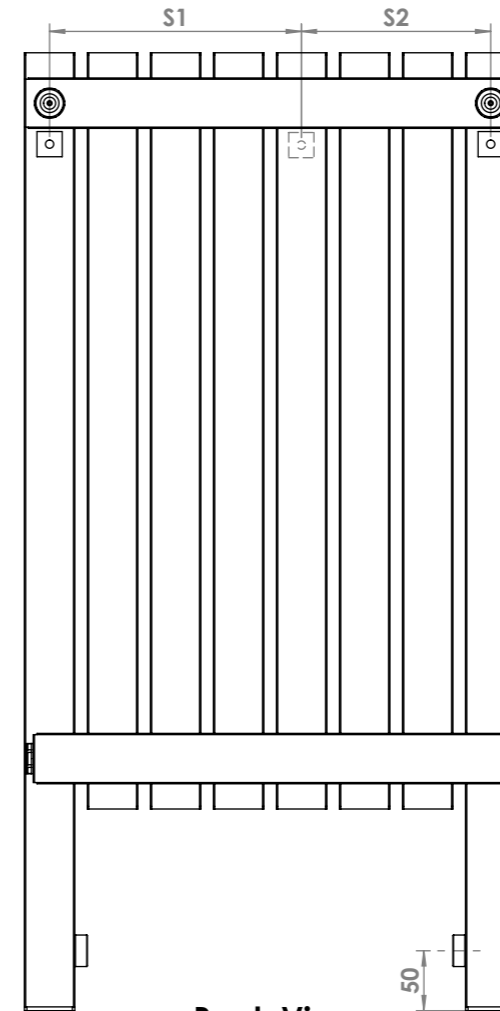
L



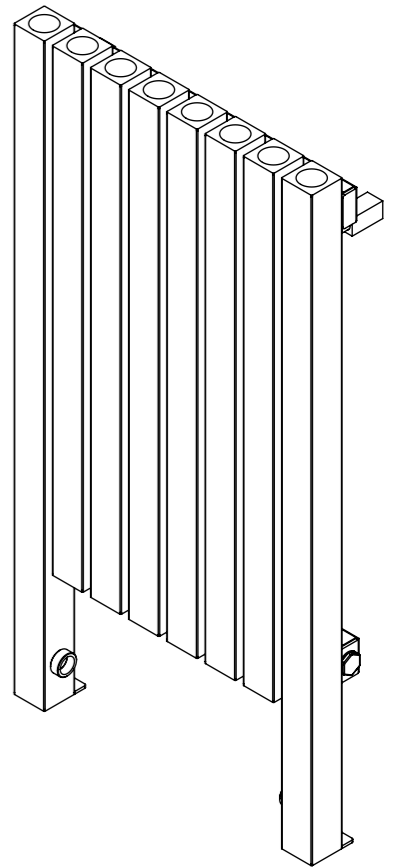
Front View



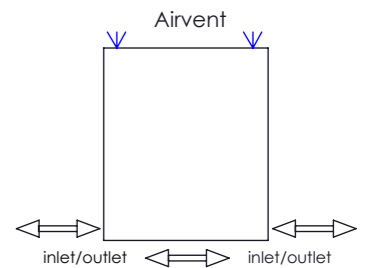
Side View



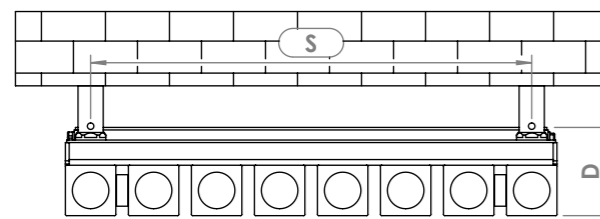
Back View



Plumbing Position:

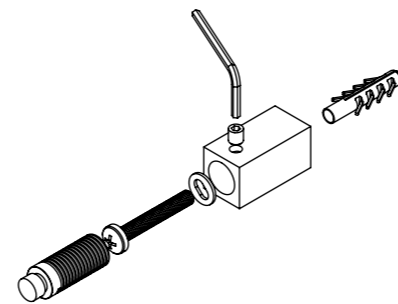
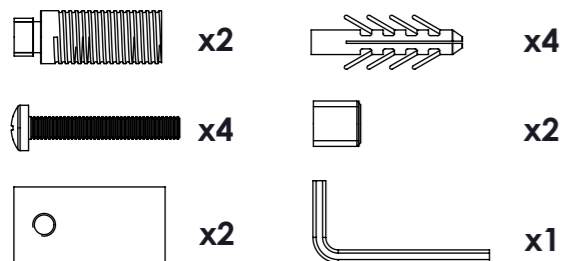


Vertical mount
 All Dimensions are in mm
 Max.Working Pressure: 10 Bar
 Max.Working Temperature: 95° C
 Inlet / Outlet : 1/2" BSP
 Fuel : E/H/D



Top View

Installation Accessories:



Note: Dimension (S1,S2) available for minimum 24 profiles Manufacturing Tolerance : - 5 mm

PRODUCT CODE	Height	Length	Depth	Pipe Centres	Bracket Centres		
	H	L	D	C-C1	F	S	M
	mm	mm	mm	mm	mm	mm	mm
DALL8-7660	760	390	70	200-466	688	350	350
DALL10-7660	760	490	70	300-566	688	450	450
DALL12-7660	760	590	70	400-666	688	550	550
DALL14-7660	760	690	70	500-766	688	650	650
DALL16-7660	760	790	70	600-866	688	750	750
DALL20-7660	760	990	70	800-1066	688	950	950
DALL24-7660	760	1190	70	1000-1266	688	600-550	1150