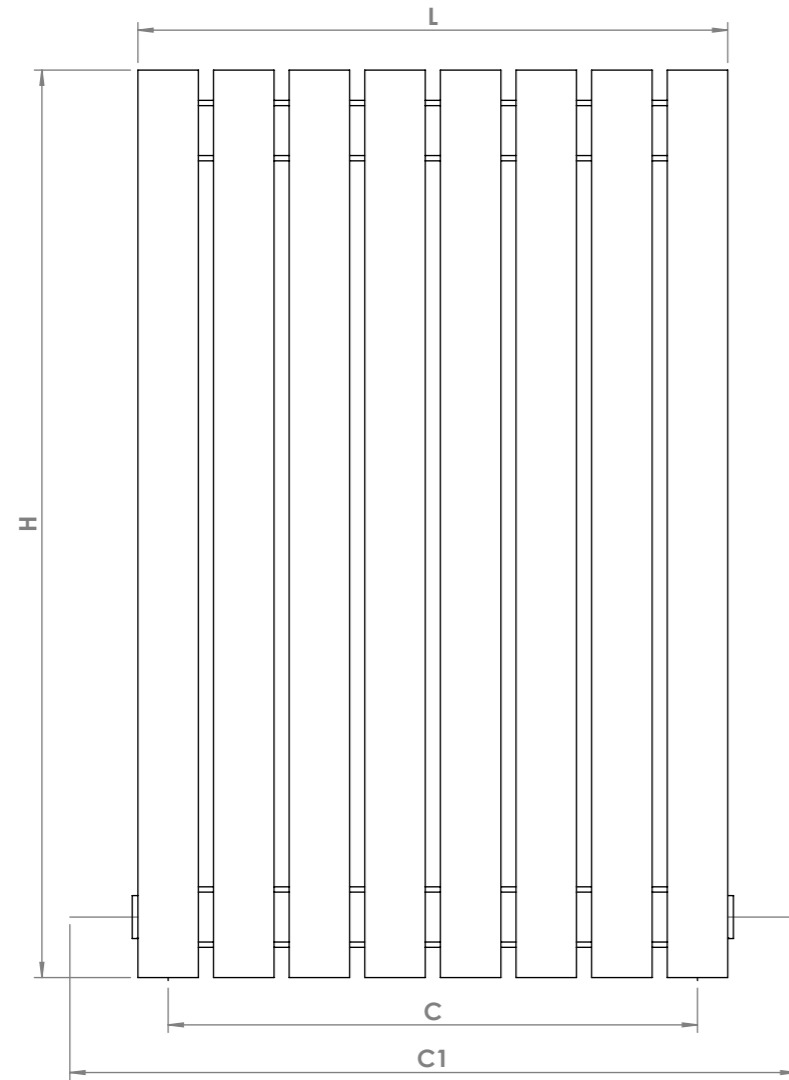
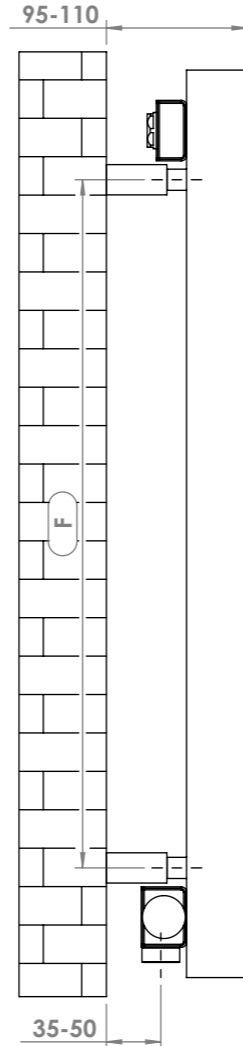


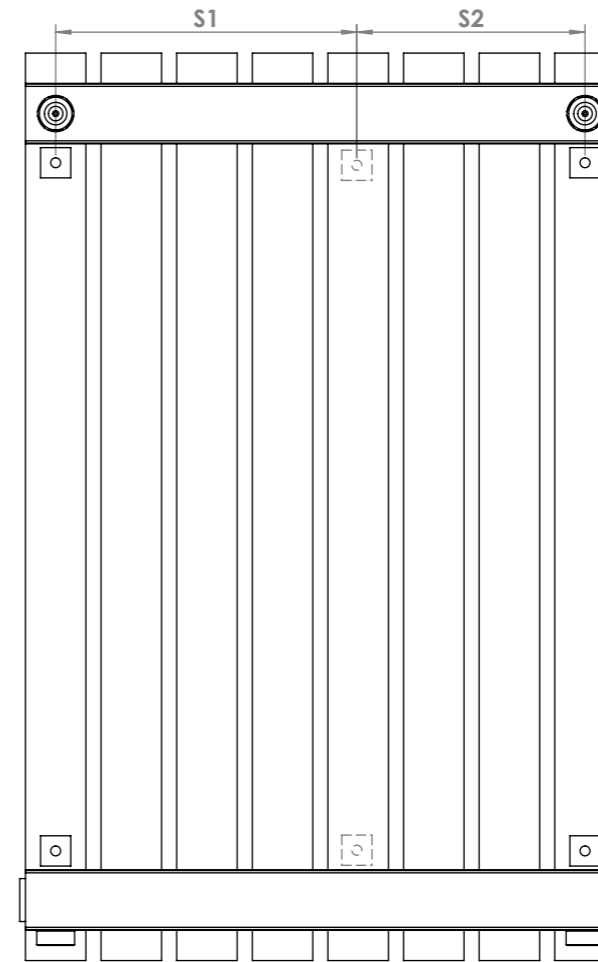
KARE E



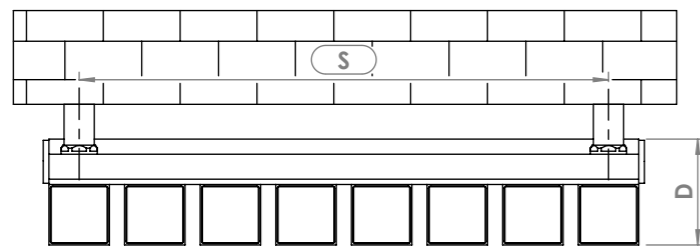
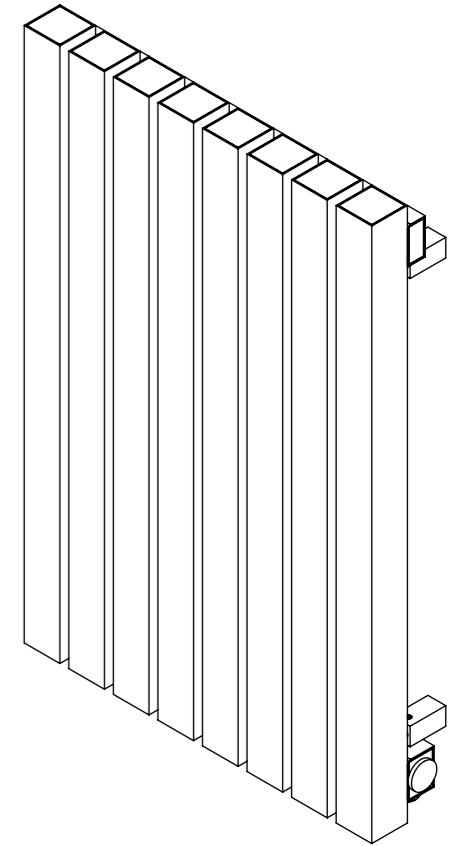
Front View



Side View

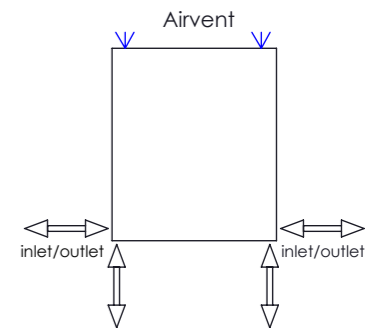


Back View



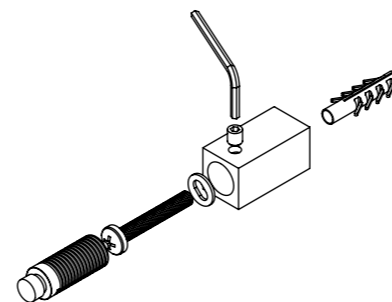
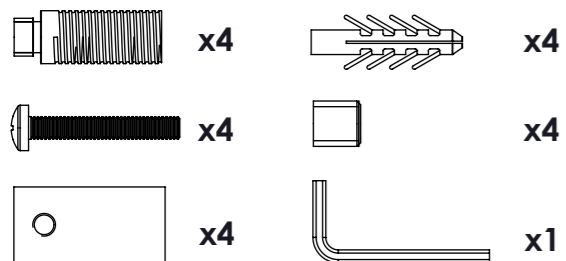
Top View

Plumbing Position:



Vertical mount
 All Dimensions are in mm
 Max. Working Pressure: 10 Bar
 Max. Working Temperature: 95° C
 Inlet / Outlet : 1/2" BSP
 Fuel : E/H/D

Installation Accessories:



Note: Dimension (S1,S2) available for minimum 24 profiles Manufacturing Tolerance : - 5 mm

PRODUCT CODE	Height	Length	Depth	Pipe Centres	Bracket Centres	
	H mm	L mm	D mm	C-C1 mm	F mm	S (S1-S2) mm
KRE8-6060	600	390	70	350-380	455	350
KRE10-6060	600	490	70	450-580	455	450
KRE12-6060	600	590	70	550-680	455	550
KRE14-6060	600	690	70	650-780	455	650
KRE16-6060	600	790	70	750-880	455	750
KRE20-6060	600	990	70	950-1080	455	950
KRE24-6060	600	1190	70	1150-1280	455	600-550
KR E28-6060	600	1390	70	1350-1480	455	700-650
KRE32-6060	600	1590	70	1550-1680	455	800-750
KRE36-6060	600	1790	70	1750-1880	455	900-850