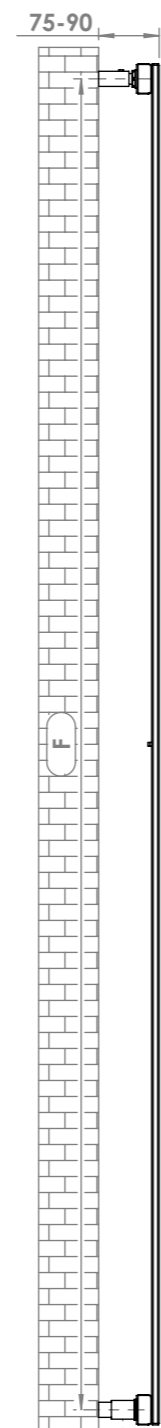
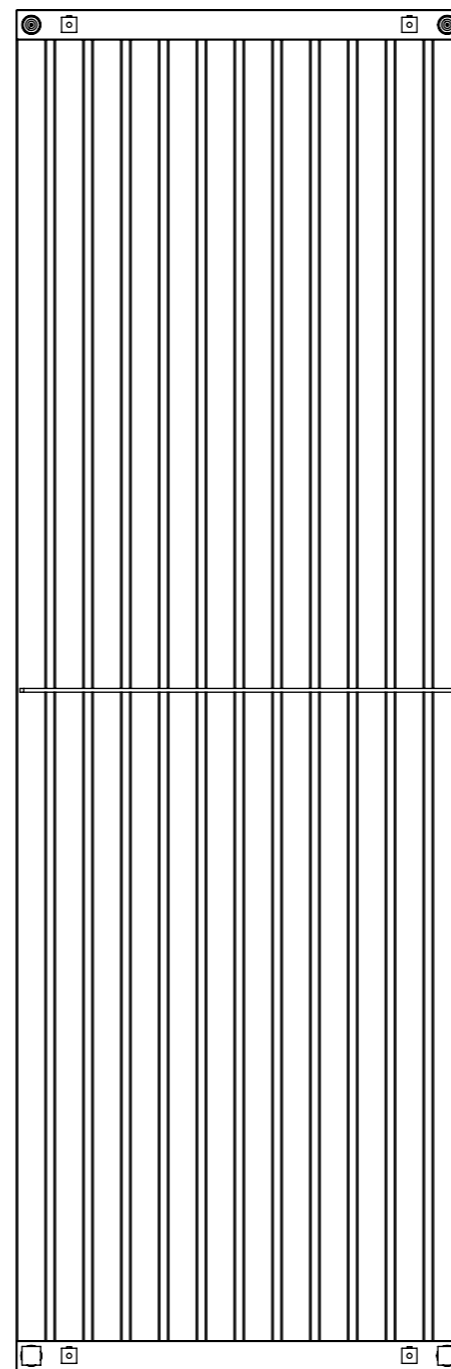


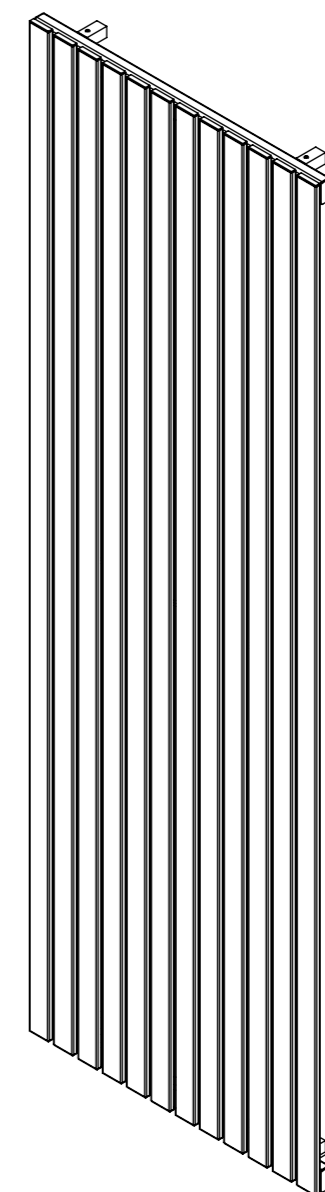
Front View



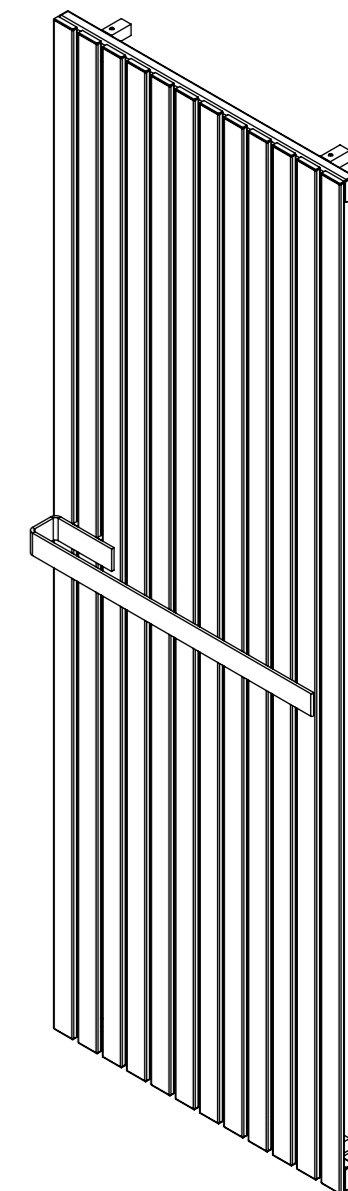
Side View



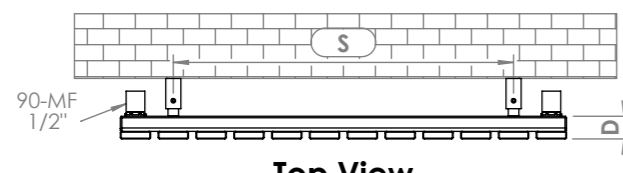
Back View



Lunar

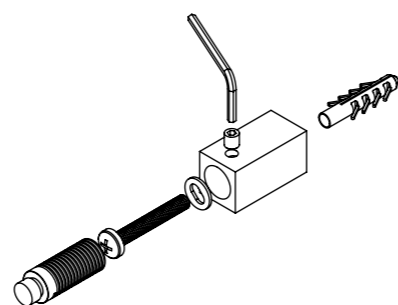
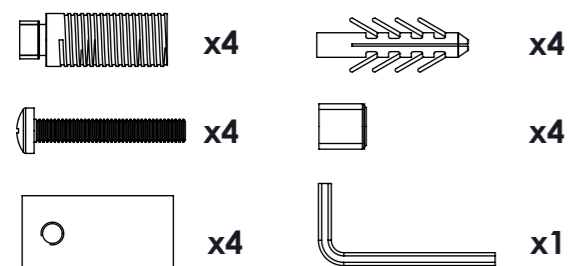


Lunar LTB Accessories

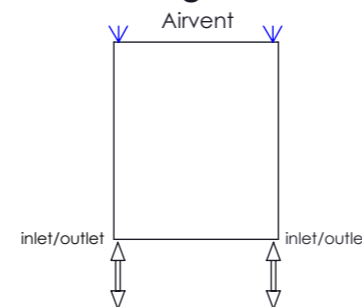


Top View

Installation Accessories:



Plumbing Position:



Vertical mount
 All Dimensions are in mm
 Max. Working Pressure: 10 Bar
 Max. Working Temperature: 95° C
 Inlet / Outlet : 1/2" BSP
 Fuel : H
 Manufacturing Tolerance : - 5 mm

PRODUCT CODE	Height	Length	Depth	Pipe Centres	Bracket Centres	
	H	L	D	C	F	S
	mm	mm	mm	mm	mm	mm
LUN1505	1500	240	30	200	1460	100
LUN1507	1500	340	30	300	1460	200
LUN1510	1500	490	30	450	1460	350
LUN1515	1500	740	30	700	1460	600
LUN1520	1500	990	30	950	1460	850
LUN1805	1800	240	30	200	1760	100
LUN1807	1800	340	30	300	1760	200
LUN1810	1800	490	30	450	1760	350
LUN1812	1800	590	30	550	1760	450
LUN2005	2000	240	30	200	1960	100
LUN2007	2000	340	30	300	1960	200
LUN2007T	2000	320	30	280	1960	180
LUN2010	2000	490	30	450	1960	350
LUN2012	2000	590	30	550	1960	450
LUNTB5	40	240	-	-	-	-
LUNTB7	40	340	-	-	-	-
LUNTB10	40	490	-	-	-	-