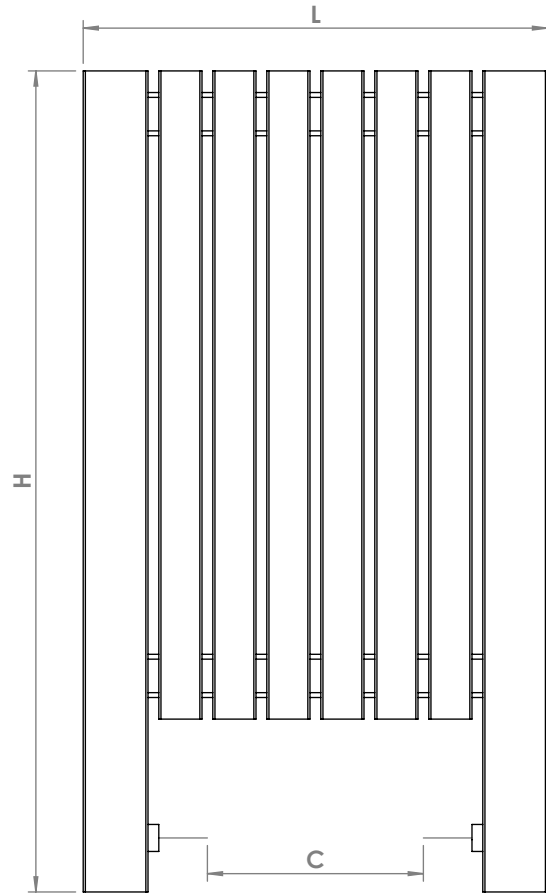
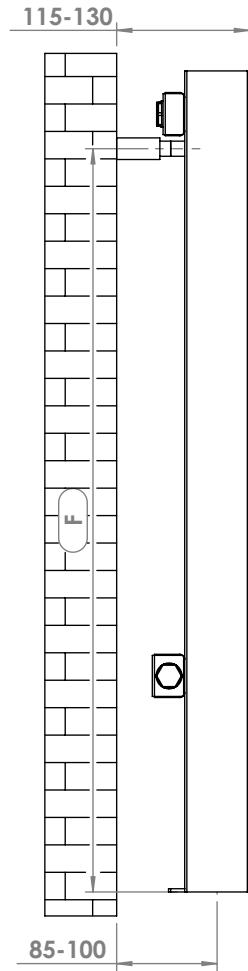


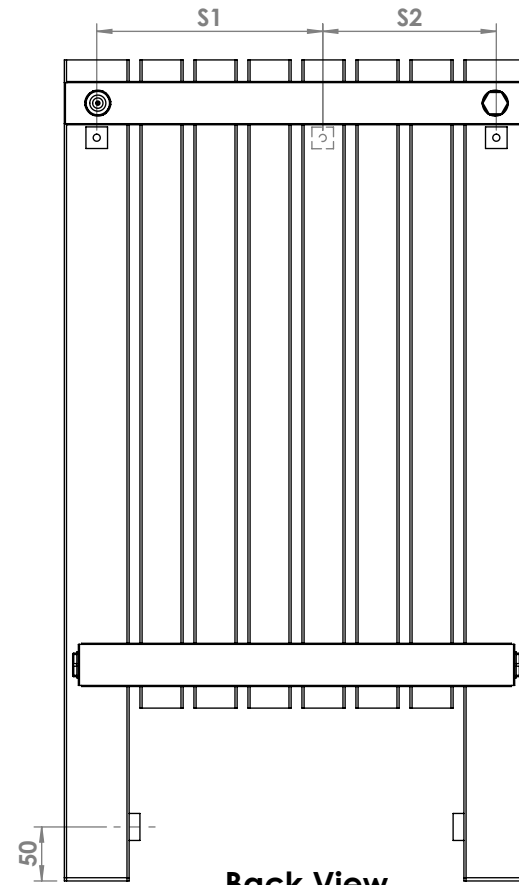
Bottom View



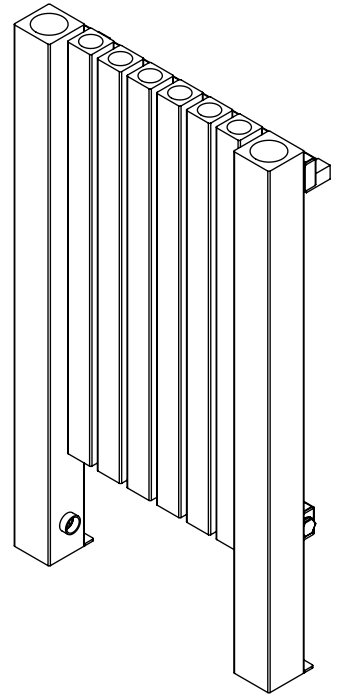
Front View



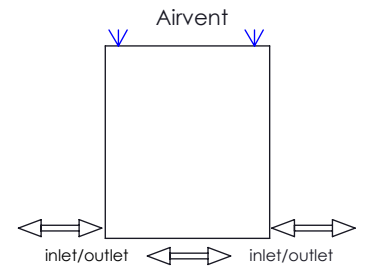
Side View



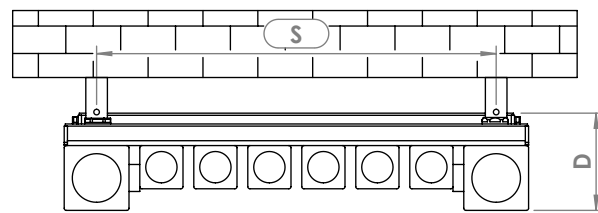
Back View



Plumbing Position:



Vertical mount
 All Dimensions are in mm
 Max.Working Pressure: 8 Bar
 Max.Working Temperature: 95° C
 Inlet / Outlet : 1/2" BSP
 Fuel : E/H/D

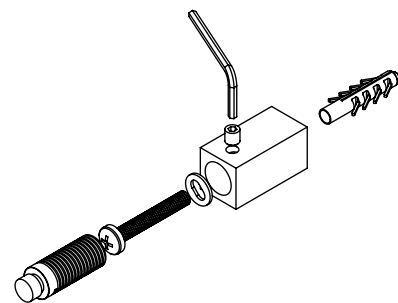
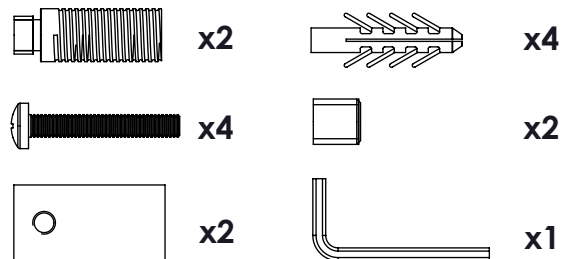


Top View

Note: Dimension (S1,S2) available for minimum 32 profiles

Manufacturing Tolerance : - 5 mm

Installation Accessories:



PRODUCT CODE	Height	Length	Depth	Pipe Centres	Bracket Centres		
	H	L	D	C	F	S (S1-S2)	M
	mm	mm	mm	mm	mm	mm	mm
MAL8-7660	760	430	90	200	688	370	370
MAL10-7660	760	530	90	300	688	470	470
MAL12-7660	760	630	90	400	688	570	570
MAL14-7660	760	730	90	500	688	670	670
MAL16-7660	760	830	90	600	688	770	770
MAL20-7660	760	1030	90	800	688	970	970
MAL24-7660	760	1230	90	1000	688	1170	1170
MAL28-7660	760	1430	90	1200	688	1370	1370
MAL32-7660	760	1630	90	1300	688	810-760	1470
MAL36-7660	760	1830	90	1600	688	910-860	1770
MAL40-7660	760	2030	90	1800	688	1010-960	1970