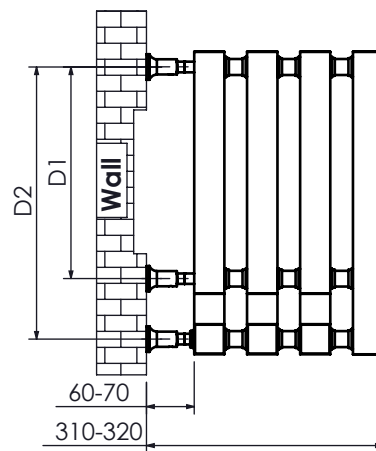
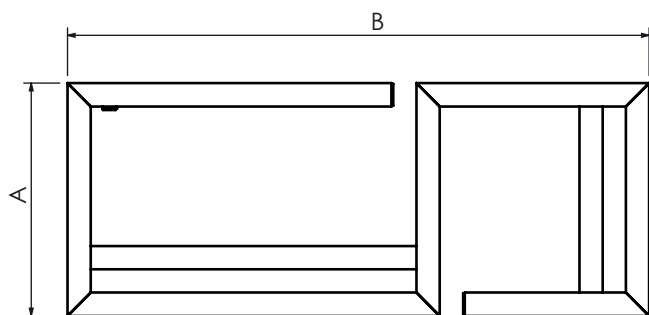
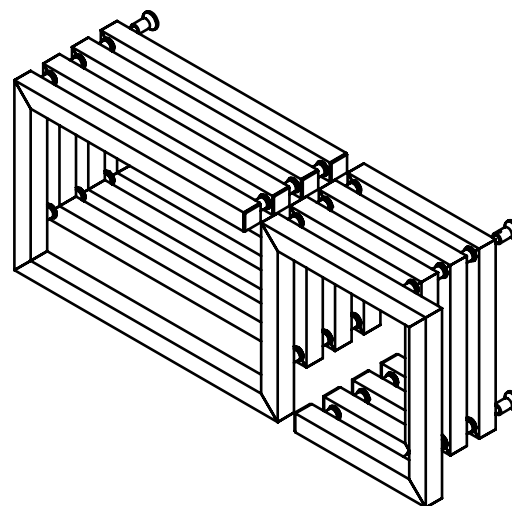
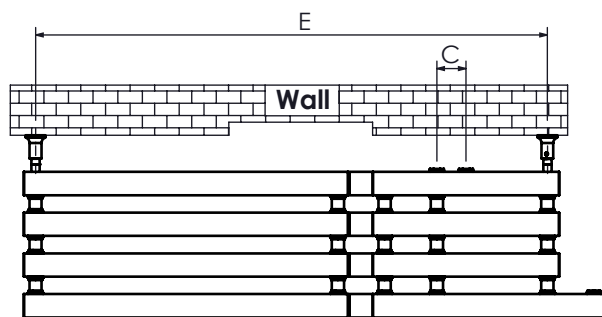


Fitting Instruction-S-Type

Code: 01.40.001-00.01



| MODEL NAME | A HEIGHT mm | B LENGTH mm | C PIPE CENTER mm | D1-D2 VERTICAL BRACKET CENTERS mm | E HORIZONTAL BRACKET CENTERS mm | HEAT OUTPUTS (BTU) Delta T:50°C | HEAT OUTPUTS (WATT) Delta T:50°C |
|------------|-------------------|-------------------|------------------------|---|---|--|---|
| S-type 100 | 400 | 1000 | 50 | 280-360 | 880 | 3093 | 907 |
| S-type 130 | 500 | 1350 | 50 | 380-460 | 1230 | 3819 | 1120 |



Bracket Assembly

