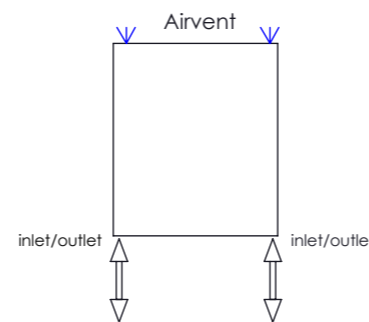


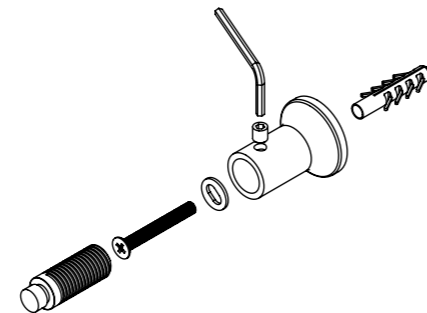
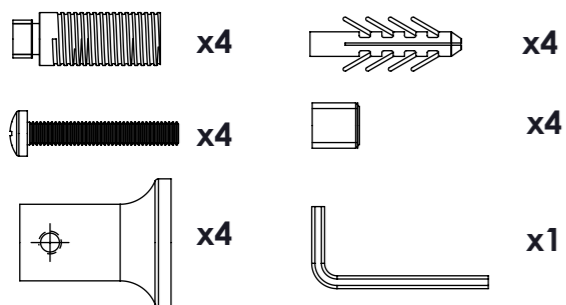
### Plumbing Position:



Vertical mount  
 All Dimensions are in mm  
 Max. Working Pressure: 10 Bar  
 Max. Working Temperature: 95° C  
 Inlet / Outlet : 1/2" BSP  
 Fuel : E/H/D

Manufacturing Tolerance : - 5 mm

### Installation Accessories:



PRODUCT CODE	Height	Length	Depth	Pipe Centres	Bracket Centres	
	H	L	D	C	F	S
	mm	mm	mm	mm	mm	mm
SE75-55	750	550	32	518	600	270 or less
SE75-65	750	650	32	618	600	370 or less
SE100-55	1000	550	32	518	830	270 or less
SE130-55	1300	550	32	518	1150	270 or less
SE130-65	1300	650	32	618	1150	370 or less
SE175-55	1750	550	32	518	1610	270 or less
SE175-65	1750	650	32	618	1610	370 or less
SE75-55C	750	550	32	518	600	270 or less
SE75-65C	750	650	32	618	600	370 or less
SE100-55C	1000	550	32	518	830	270 or less
SE130-55C	1300	550	32	518	1150	270 or less
SE130-65C	1300	650	32	618	1150	370 or less
SE175-55C	1750	550	32	518	1610	270 or less
SE175-65C	1750	650	32	618	1610	370 or less
SE75-55G	750	550	32	518	600	270 or less
SE75-65G	750	650	32	618	600	370 or less
SE100-55G	1000	550	32	518	830	270 or less
SE130-55G	1300	550	32	518	1150	270 or less
SE130-65G	1300	650	32	618	1150	370 or less
SE175-55G	1750	550	32	518	1610	270 or less
SE175-65G	1750	650	32	618	1610	370 or less