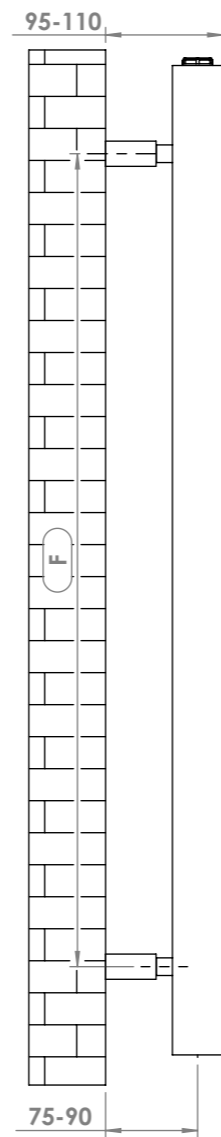
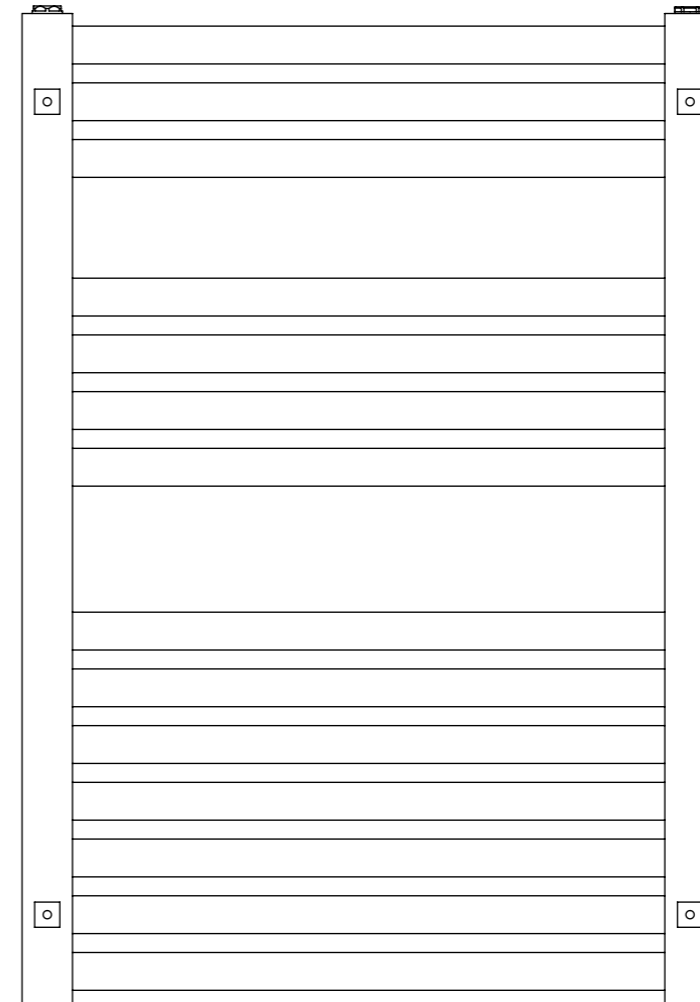


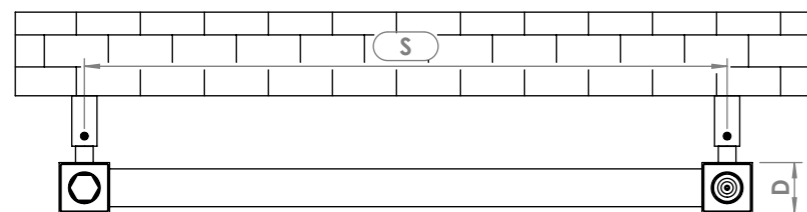
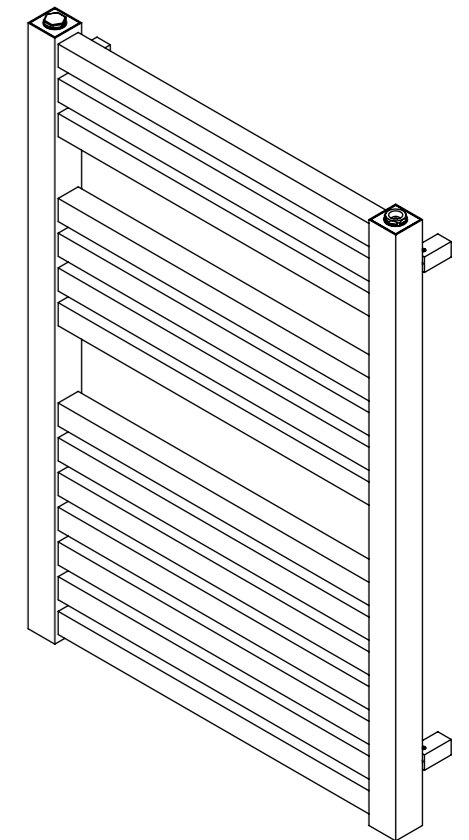
**Front View**



**Side View**

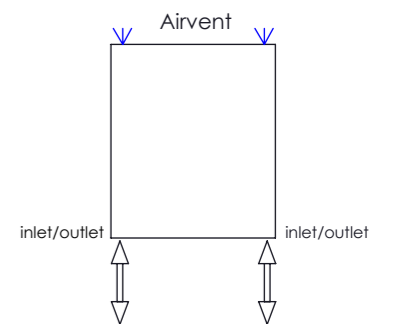


**Back View**



**Top View**







**Plumbing Position:**

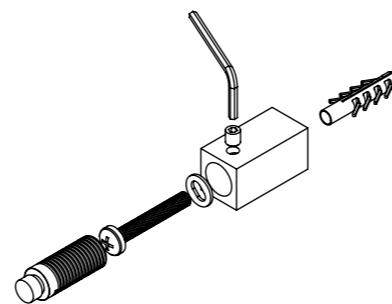


Vertical mount  
 All Dimensions are in mm  
 Max. Working Pressure: 10 Bar  
 Max. Working Temperature: 95° C  
 Inlet / Outlet : 1/2" BSP  
 Fuel : E/H/D

Manufacturing Tolerance : - 5 mm

**Installation Accessories:**

-  x4       x4
-  x4       x4
-  x4       x1



PRODUCT CODE	Height	Length	Depth	Pipe Centres	Bracket Centres	
	H mm	L mm	D mm	C mm	F mm	S mm
SRF5S8	785	550	40	510	645	510
SRF5S12	1200	550	40	510	1060	510
SRF5S17	1660	550	40	510	1520	510