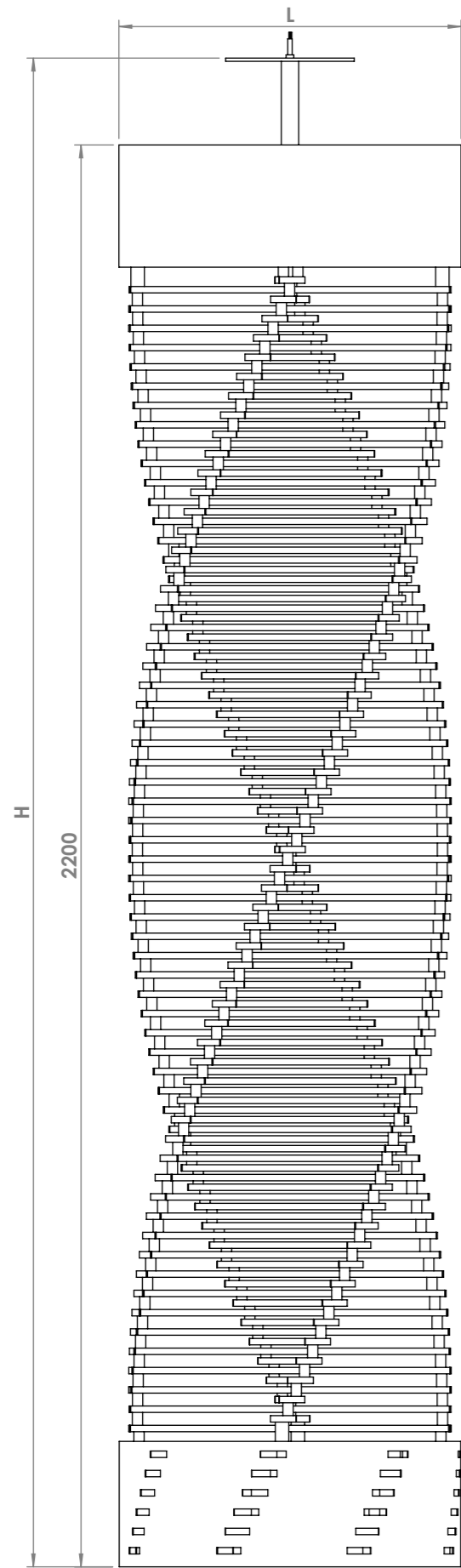
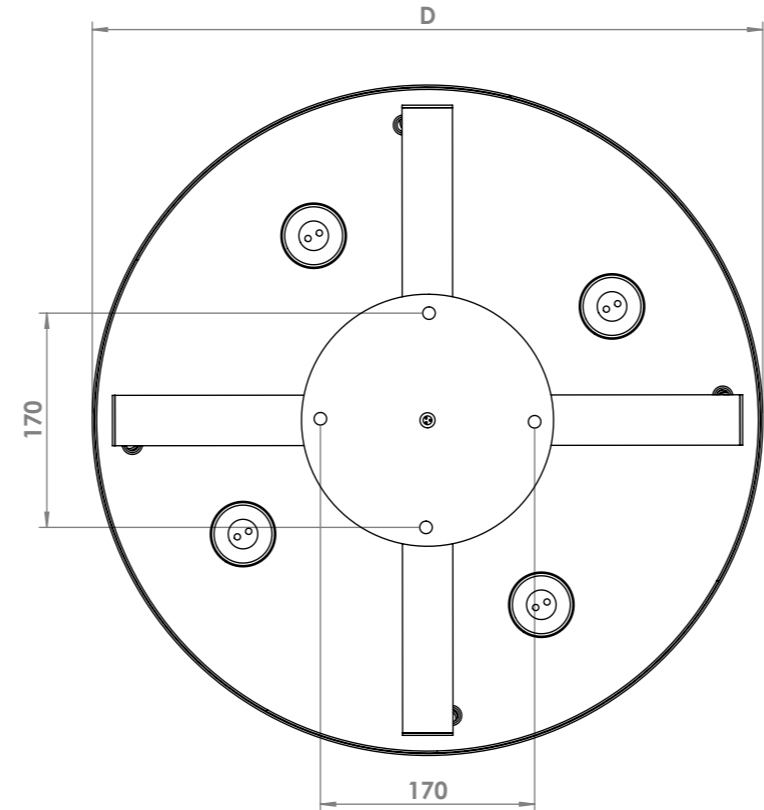


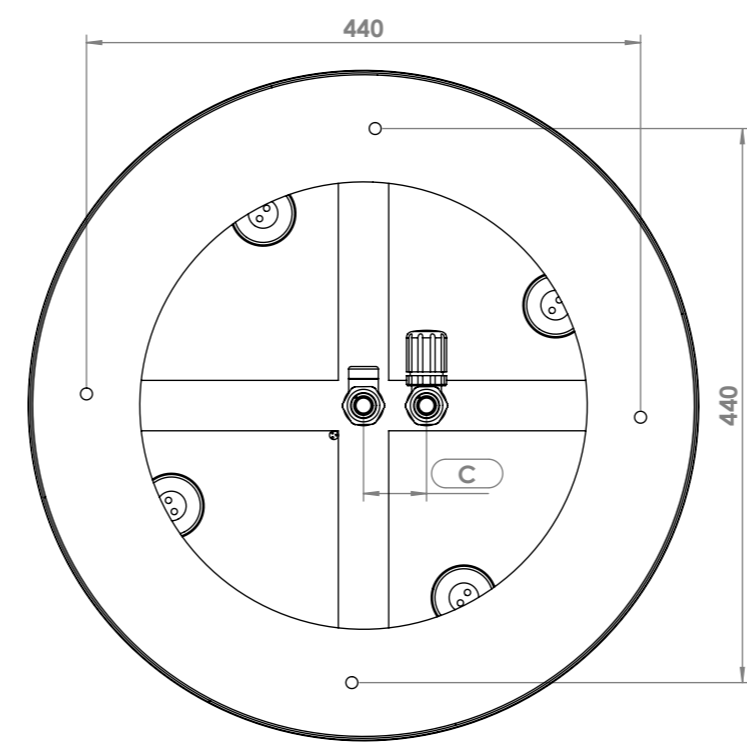
SPEIRA



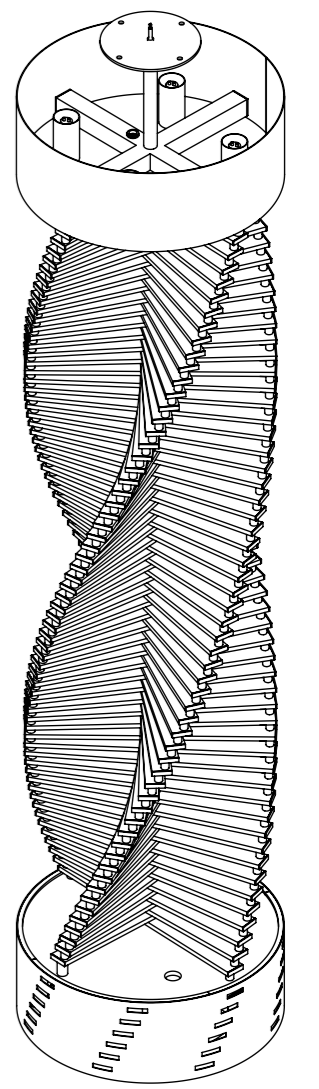
Front View



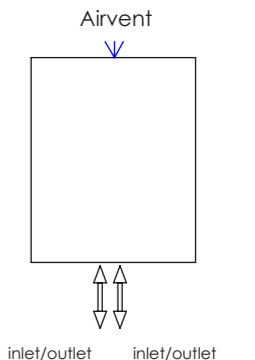
Top View
(The Top Bracket Centers)



Bottom View
(The Floor Bracket Centers)



Plumbing Position:



Vertical mount / Free S.
 All Dimensions are in mm
 Max.Working Pressure: 8 Bar
 Max.Working Temperature: 95° C
 Inlet / Outlet : 1/2" BSP
 Fuel : H

Manufacturing Tolerance : - 5 mm

Installation Accessories:



PRODUCT CODE	Height	Length	Depth	Pipe Centres	Bracket Centres	
	H mm	L mm	D mm	C mm	F mm	S mm
SPR120	2400 - 2750	510	510	50	-	-